



3-PHASES

AVAILABLE IN 480 V

AVAILABLE IN 60 Hz

**AVAILABLE IN
RIGHT VERSION
GRT10**



RASOR®

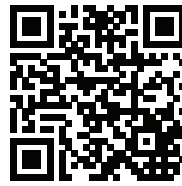
1946

GRT10L **ELECTRIC 3-PHASES CUTTING UNIT**

GRT10L. Professional cutting unit for continuous cutting processes in Textile & Technical Textile applications.



ELECTRIC 3-PHASES CUTTING UNIT GRT10L



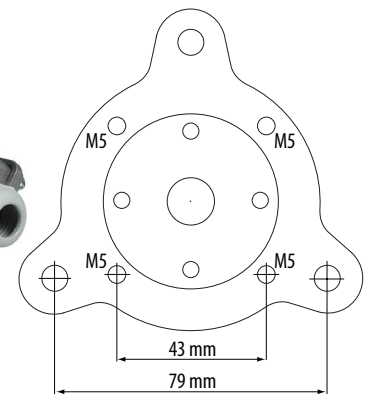
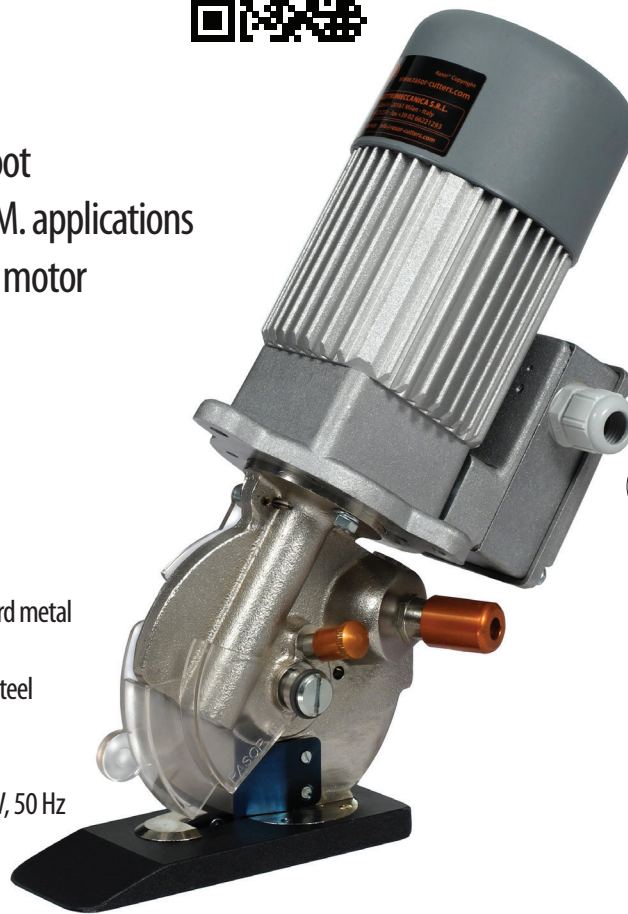
WHAT'S NEW:

- Low-friction Teflon coated foot
- Easy fixing structure for O.E.M. applications
- Maintenance-free industrial motor
- New sharpening device

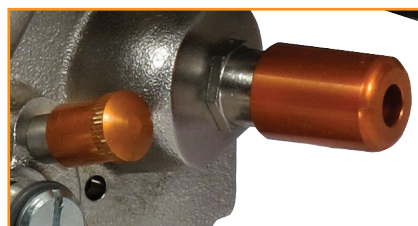
AVAILABLE IN 480 V
AVAILABLE IN 60 Hz

TECHNICAL DETAILS:

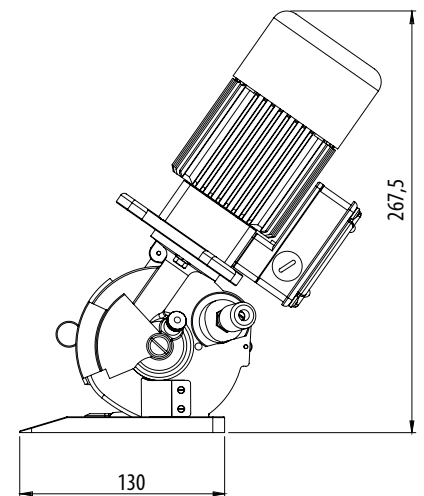
- Blade diameter:** 100 mm (4"), with hard metal counterblade
- Blade equipped:** 10EHSS, 6-edges, HSS steel
- Blade speed:** 550 r.p.m.
- Cutting ability:** up to 35 mm (1.4")
- Motor:** 3phases asynchronous 380/400V, 50 Hz
- Power:** 75 W
- Max. absorption:** 0.36 A
- Protection:** IP20 - CL F
- Net weight:** 2800 g (with power supply cord)
- Total weight (with packing box):** 4000 g
- Electric cable length:** 1.5 mt (with no plug)
- Minimum brightness for working operations:** LUX 200
- Vibrations at start up:** < 2.5 m/sec 2
- Temperature range:** 0 – 55 C
- Umidity range:** 10 – 95% without condensate



Fixing layout



Sharpening device



Dimension layout

BLADES AVAILABLE:

10EHSS, 100 mm 6-edges, HSS steel | **10SEXTG**, 100 mm 4-edges, EXTRA steel | **10CSW**, 100 mm circular, HSS steel | **10EHSSTF**, 100 mm 6-edges, HSS steel Teflon® coated | **10EMD**, 100 mm 6-edges, Carbide (Widia®)



FOLLOW US:



RASOR ELETTROMECCANICA SRL

Via Vincenzo Caldesi 6
20161 Milan · Italy
ph. +39 02 66 22 12 31
fax +39 02 66 22 12 93
info@rasor-cutters.com

www.rasor-cutters.com