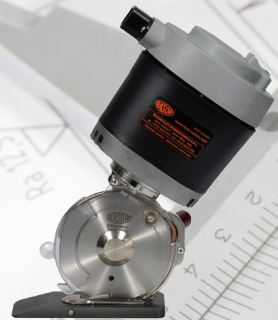




RASOR
Razor Copyright
www.razor-cutters.com
RASOR ELETTROMECCANICA S.R.L.
Via V. Calvesa 6 - 20161 Milan - Italy
ph. +39 02 66221231 - fax. +39 02 66221293
Customer Services: info@razor-cutters.com



AVAILABLE IN
RIGHT VERSION
SW100S



1946

SW100SL ELECTRIC CUTTING UNIT

SW100SL. Professional cutting unit for Textile & Technical Textile applications.

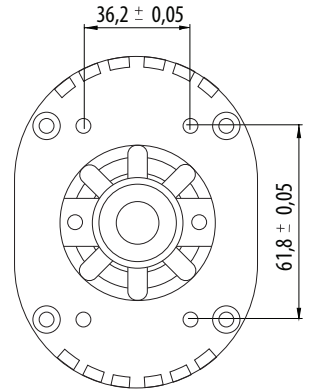


1946

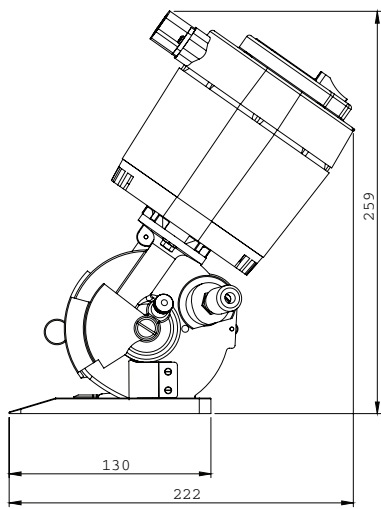
ELECTRIC CUTTING UNIT SW100SL

WHAT'S NEW:

- New sharpening device system
- Easy fixing structure for O.E.M applications
- Low-friction Teflon® coated foot



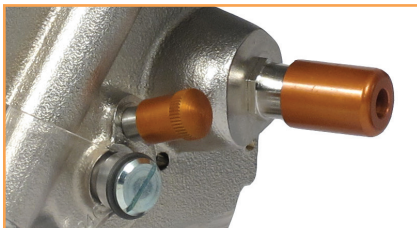
Fixing layout



Dimension layout

TECHNICAL DETAILS:

- Blade diameter:** 100 mm (4"), with hard metal counterblade
- Blade equipped:** 10EHSS, 6-edges, HSS steel
- Blade speed:** 850 r.p.m.
- Cutting ability:** up to 35 mm (1.4")
- Power:** single phase – 90 W
- Max. absorption:** 2 A
- Net weight:** 2650 g (with power supply cord)
- Total weight (with packing box):** 4750 g
- Electric cable length:** 1.5 mt (with no plug)
- Minimum brightness for working operations:** LUX 200
- Vibrations at start up:** < 2.5 m/sec²
- Temperature range:** 0 – 55 C
- Umidity range:** 10 – 95% without condensate



BLADE AVAILABLE:

10EHSS, 100 mm 6-edges, HSS steel | **10SEXTG**, 100 mm 4-edges, EXTRA steel | **10CSW**, 100 mm circular, HSS steel | **10EHSSTF**, 100 mm 6-edges, HSS steel Teflon® coated | **10EMD**, 100 mm 6-edges, Carbide (Widia®)



FOLLOW US:



RASOR ELETTROMECCANICA SRL

Via Vincenzo Caldesi 6
20161 Milan · Italy
ph. +39 02 66 22 12 31
fax +39 02 66 22 12 93
info@rasor-cutters.com

www.rasor-cutters.com