



3-PHASES

AVAILABLE IN 480 V

AVAILABLE IN 60 Hz

**AVAILABLE IN
RIGHT VERSION
GRT12**



GRT12SX

1946

ELECTRIC 3-PHASES CUTTING UNIT

GRT12SX. Powerful professional cutting unit for continuous cutting processes in Textile & Technical Textile applications.



ELECTRIC 3-PHASES CUTTING UNIT GRT12SX



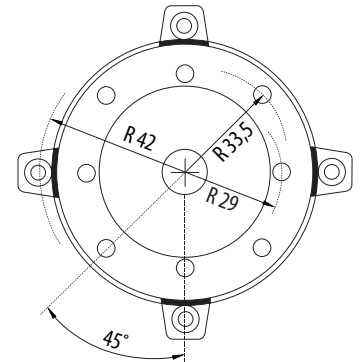
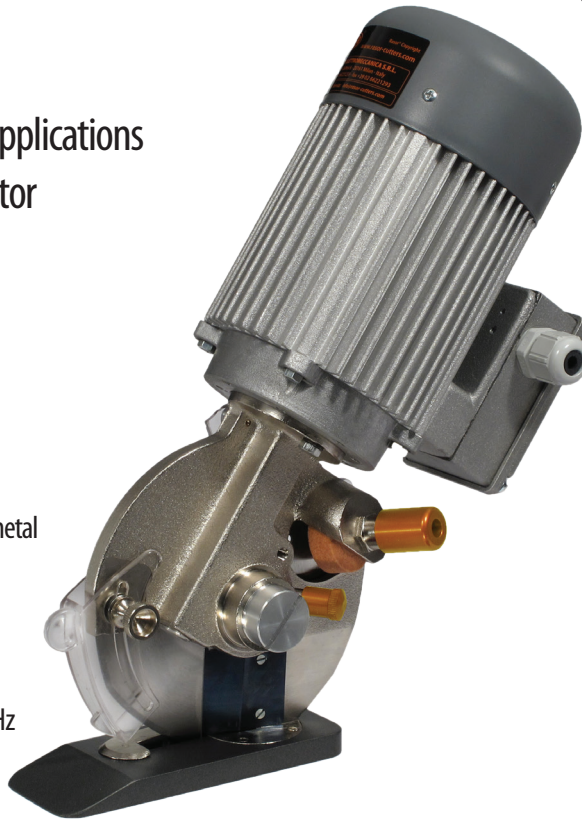
WHAT'S NEW:

- Low-friction Teflon coated foot
- Easy fixing structure for O.E.M. applications
- Maintenance-free industrial motor

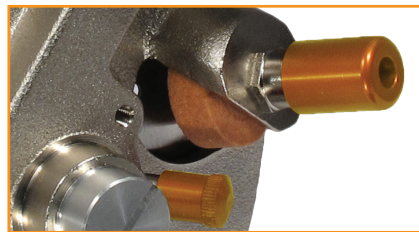
AVAILABLE IN 480 V
AVAILABLE IN 60 Hz

TECHNICAL DETAILS:

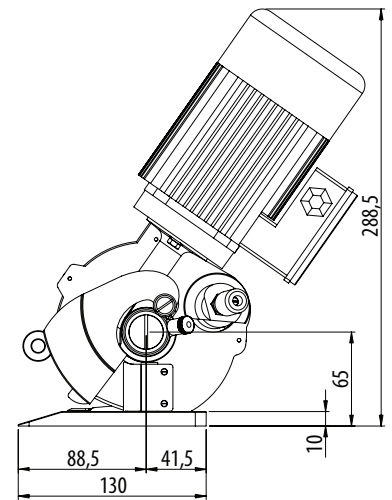
- Blade diameter:** 120 mm (4.7"), with hard metal counterblade
- Blade equipped:** 12SHSS, 8-edges, HSS steel
- Blade speed:** 400 r.p.m.
- Cutting ability:** up to 50 mm (2")
- Motor:** 3-phase asynchronous 380/400V, 50 Hz
- Power:** 180 W
- Max. absorption:** 0.52 A
- Protection:** IP20 - CL F
- Net weight:** 4650 g (with power supply cord)
- Total weight (with packing box):** 6350 g
- Electric cable length:** 1.5 mt (with no plug)
- Minimum brightness for working operations:** LUX 200
- Vibrations at start up:** < 2.5 m/sec²
- Temperature range:** 0 – 55 C
- Umidity range:** 10 – 95% without condensate



Fixing layout



Sharpening device



Dimension layout

BLADES AVAILABLE:

12SHSS, 120 mm 8-edges, HSS steel | **12CHSS**, 120 mm circular, HSS steel | **12DHSS**, 120 mm 12-edges, HSS steel | **12SHSSTF**, 120 mm 8-edges, HSS steel Teflon® coated | **12SHSSTN**, 120 mm 8-edges, HSS steel Titanium coated | **12DHSSTN**, 120 mm 12-edges, HSS steel Titanium coated | **12SMD**, 120 mm 8-edges, Carbide (Widia®)



FOLLOW US:



RASOR ELETTROMECCANICA SRL

Via Vincenzo Caldesi 6
20161 Milan · Italy
ph. +39 02 66 22 12 31
fax +39 02 66 22 12 93
info@rasor-cutters.com

www.rasor-cutters.com