



**3-PHASES**

**NEW  
MONSTER**

AVAILABLE IN 480 V  
AVAILABLE IN 60 Hz

AVAILABLE IN  
RIGHT VERSION  
GRT12M



**RASOR**®

1946

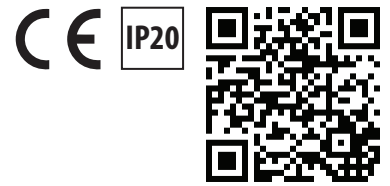
# GRT12SM ELECTRIC 3-PHASES CUTTING UNIT

GRT12SM. The most powerful professional cutting unit for continuous cutting processes in Technical Textile & Composite applications.





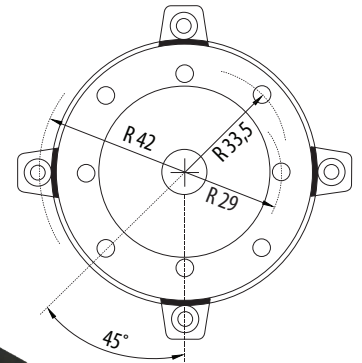
# ELECTRIC 3-PHASES CUTTING UNIT GRT12SM



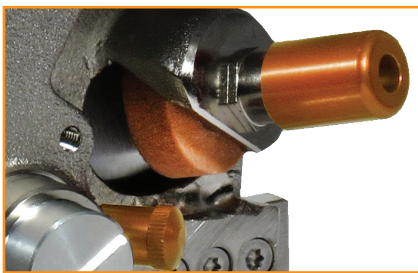
## WHAT'S NEW:

- Central knife guidance
- Low-friction Teflon coated foot
- Easy fixing structure for O.E.M. applications
- Maintenance-free industrial motor

AVAILABLE IN 480 V  
AVAILABLE IN 60 Hz



Fixing layout



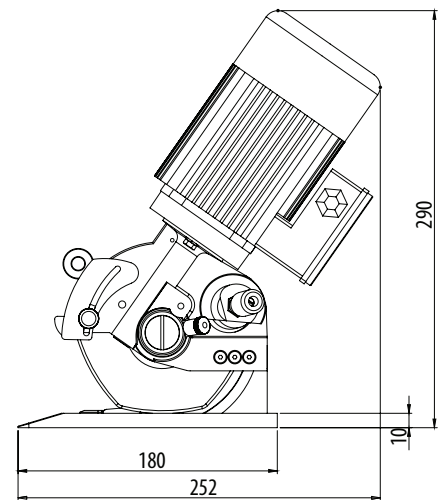
sharpening device



central knife guidance

## TECHNICAL DETAILS:

- Blade diameter:** 120 mm (4.7"), with hard metal counterblade
- Blade equipped:** 12SHSS, 8-edges, HSS steel
- Blade speed:** 400 r.p.m.
- Cutting ability:** up to 50 mm (2")
- Motor:** 3-phase asynchronous 380/400 V, 50 Hz
- Power:** 180 W
- Max. absorption:** 0.52 A
- Protection:** IP20 - CL F
- Net weight:** 4600 g (with power supply cord)
- Total weight (with packing box):** 6300 g
- Electric cable length:** 1.5 mt (with no plug)
- Minimum brightness for working operations:** LUX 200
- Vibrations at start up:** < 2.5 m/sec 2
- Temperature range:** 0 – 55 C
- Umidity range:** 10 – 95% without condensate



Dimension layout

## BLADES AVAILABLE:

12SHSS, 120 mm 8-edges, HSS steel | 12CHSS, 120 mm circular, HSS steel | 12DHSS, 120 mm 12-edges, HSS steel | 12SHSSTF, 120 mm 8-edges, HSS steel Teflon® coated | 12SHSSTN, 120 mm 8-edges, HSS steel Titanium coated | 12DHSSTN, 120 mm 12-edges, HSS steel Titanium coated | 12SMD, 120 mm 8-edges, Carbide (Widia®)



## FOLLOW US:



## RASOR ELETTROMECCANICA SRL

Via Vincenzo Caldesi 6  
20161 Milan · Italy  
ph. +39 02 66 22 12 31  
fax +39 02 66 22 12 93  
info@rasor-cutters.com

www.rasor-cutters.com